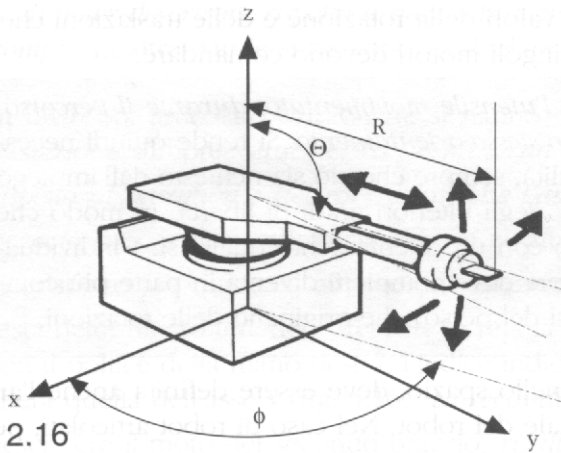
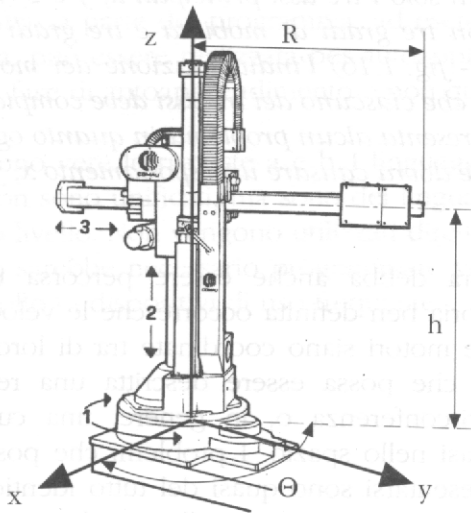


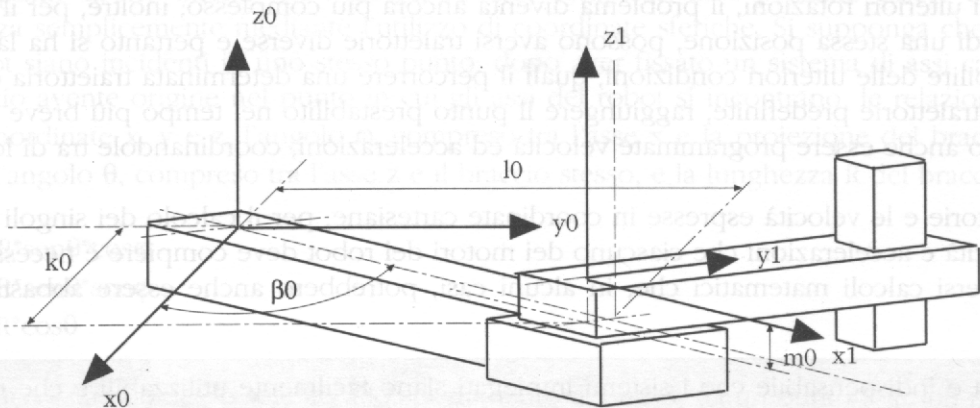
1.16

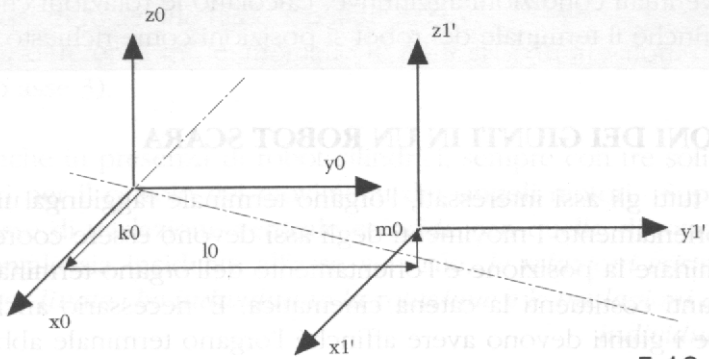


2.16

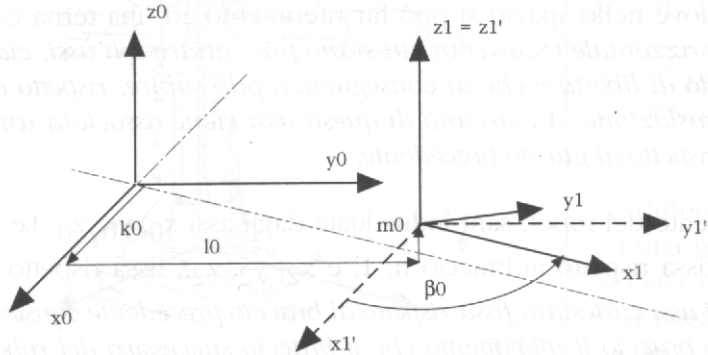


3.16

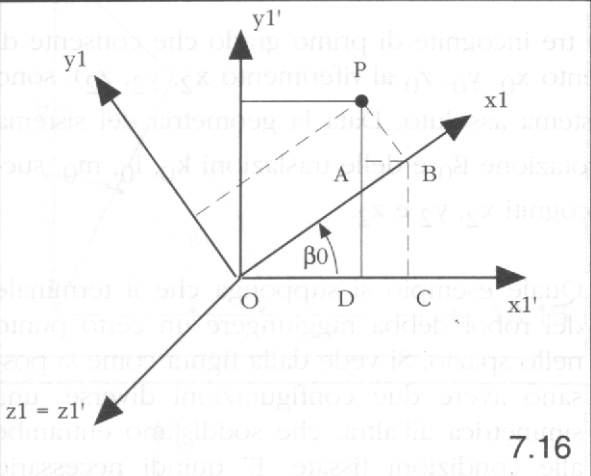


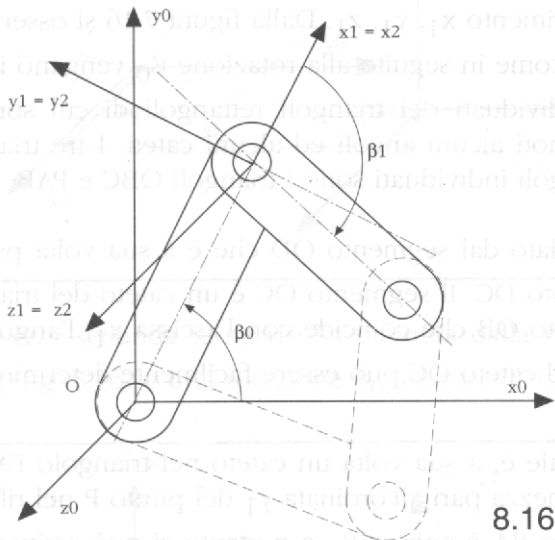


5.16

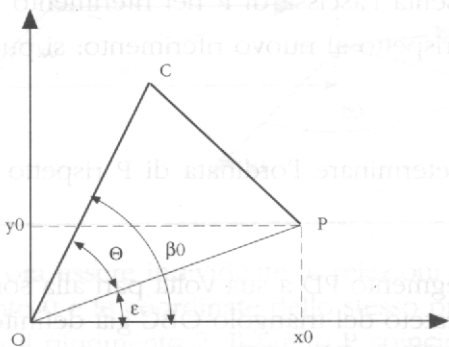


6.16

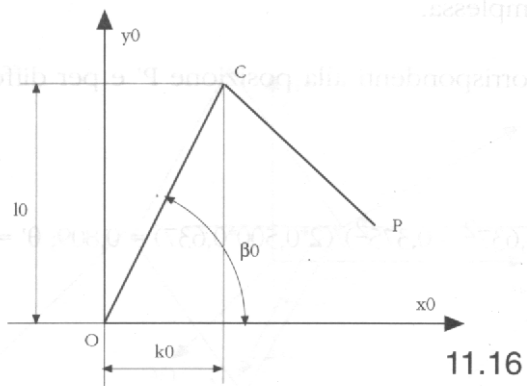
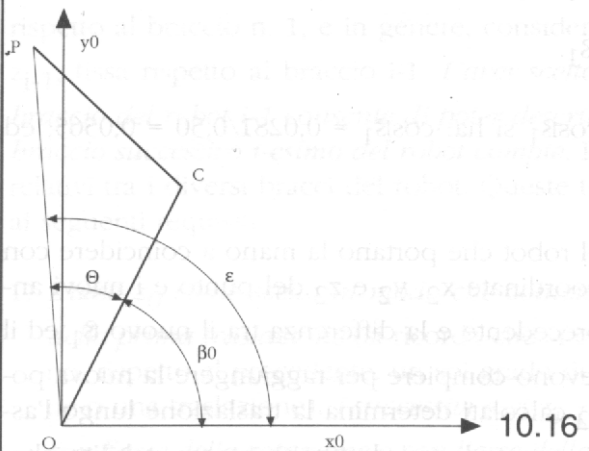


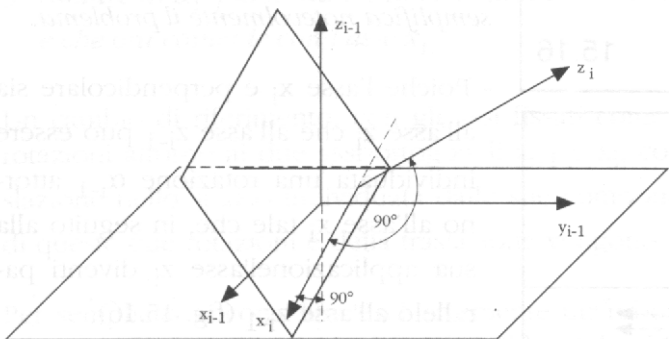


8.16

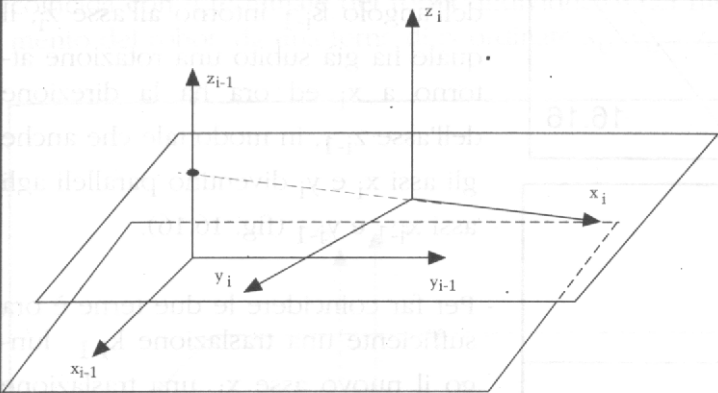


9.16

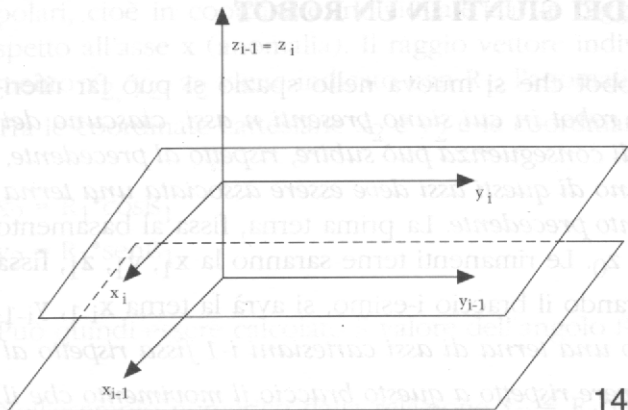




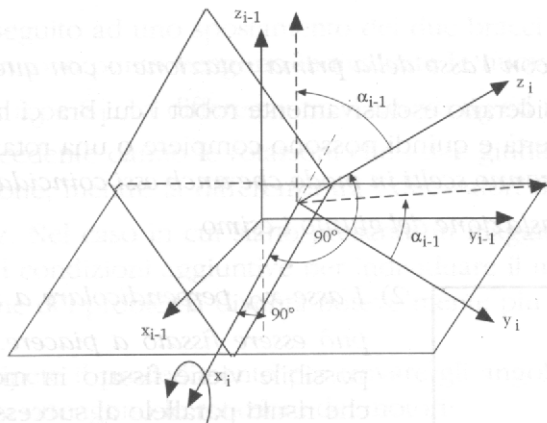
12.16



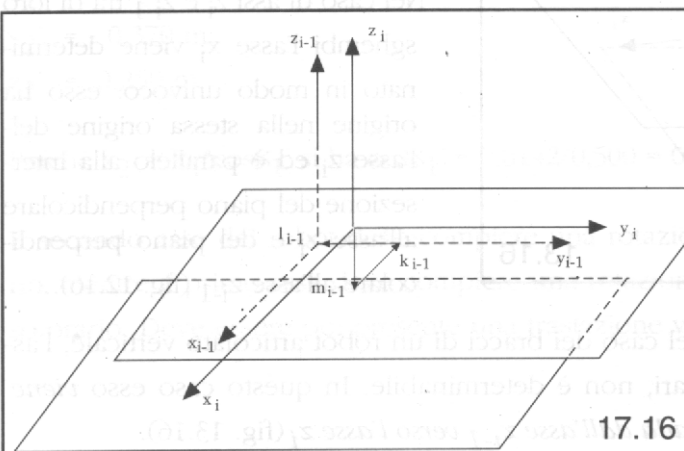
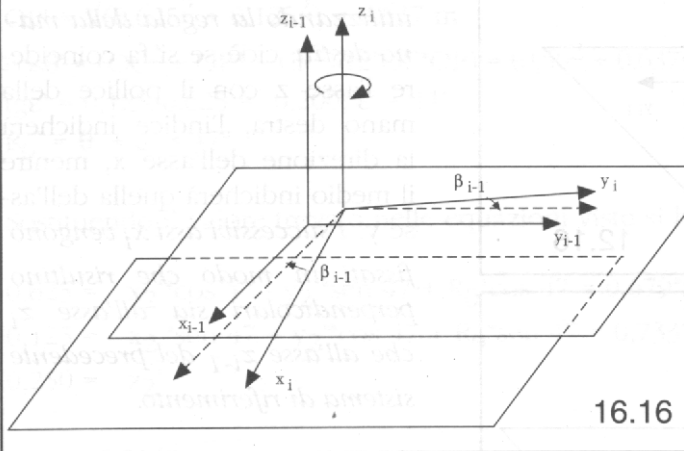
13.16

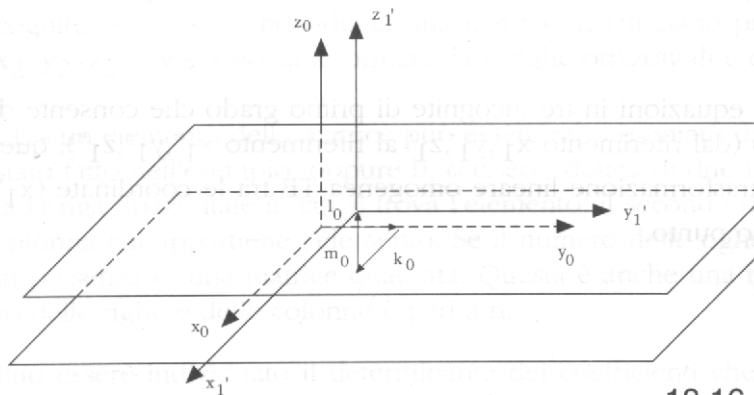


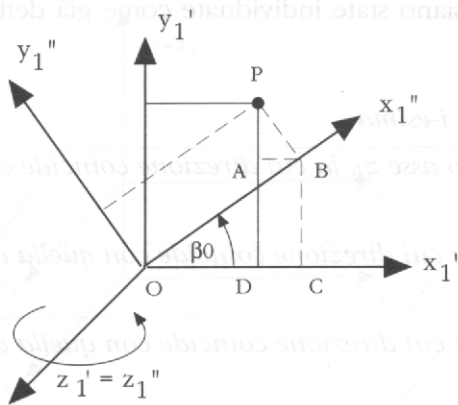
14.16

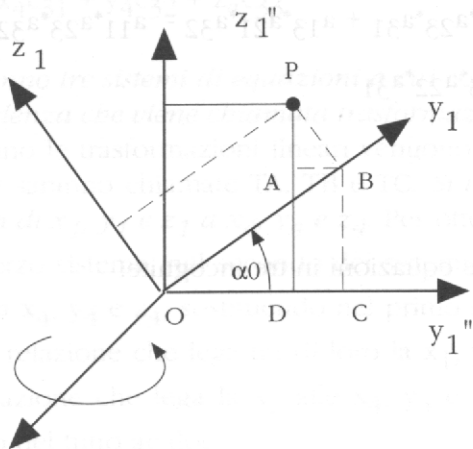


15.16



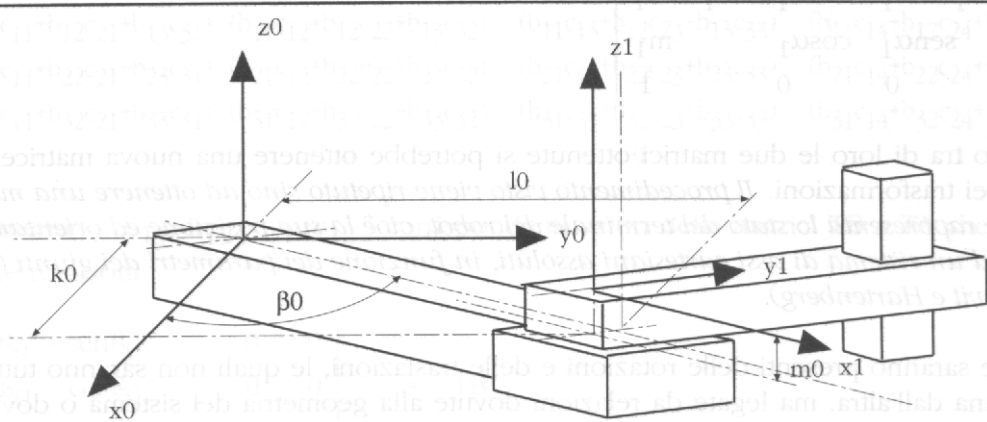


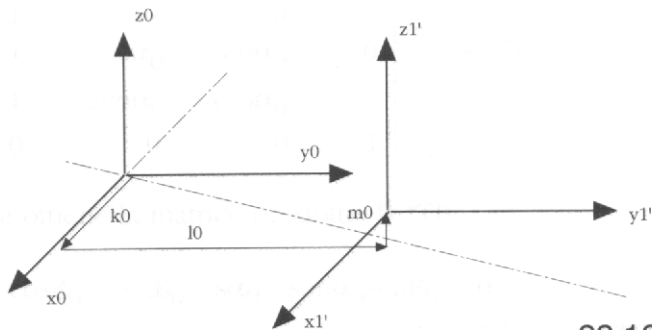




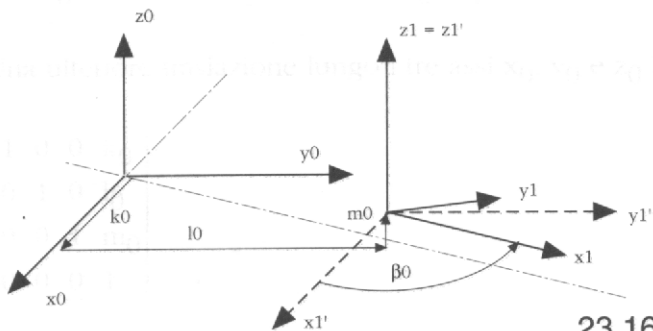
$$x_1'' = x_1$$

20.16

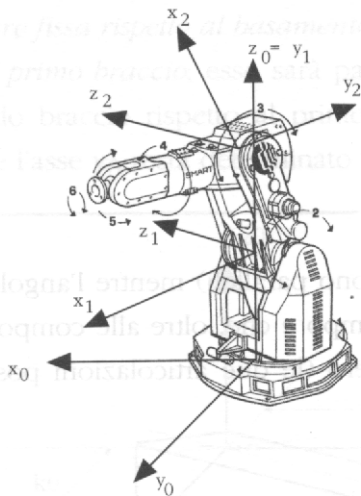




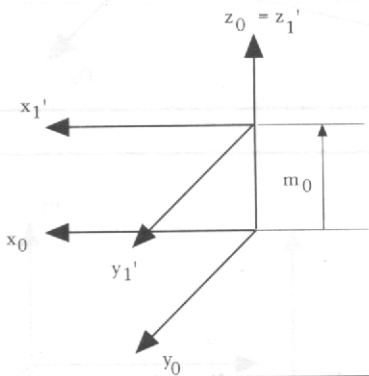
22.16



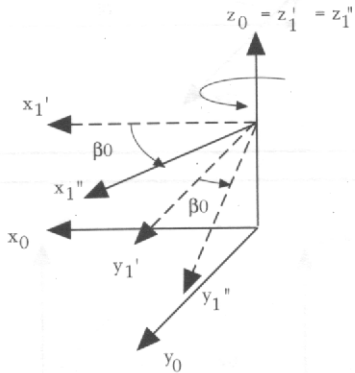
23.16



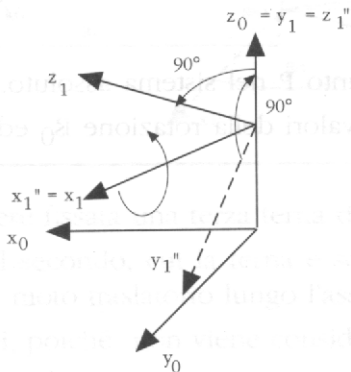
24.16



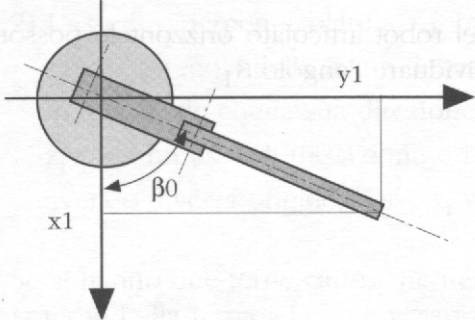
25.16



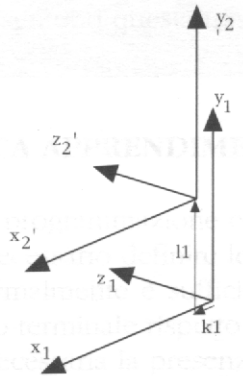
26.16



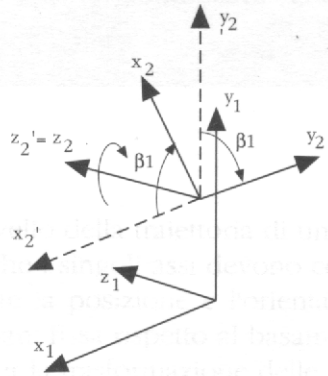
27.16



28.16



29.16



30.16