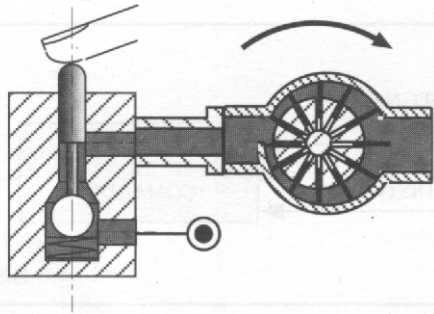
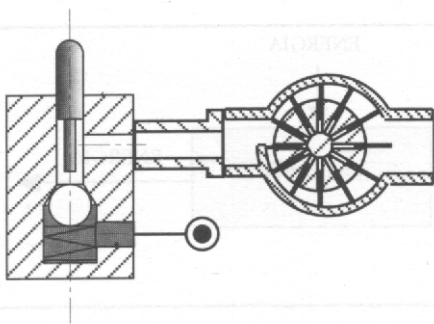
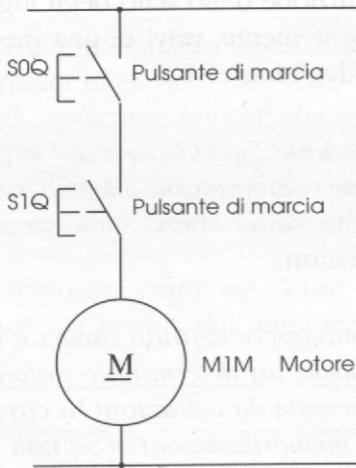
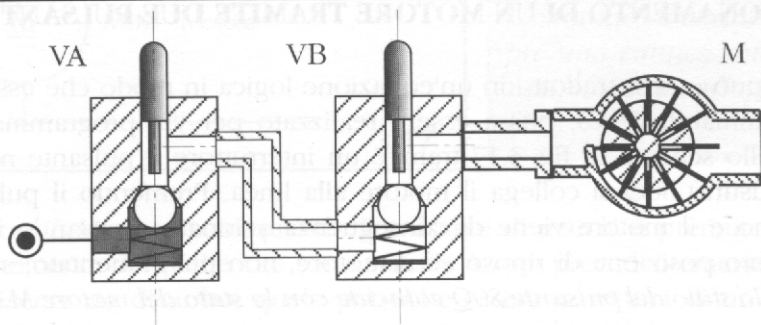


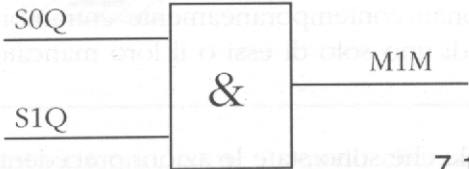
3.17



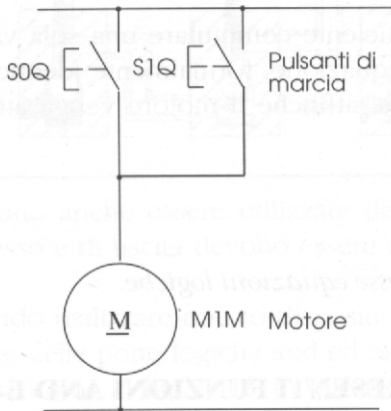


5.17

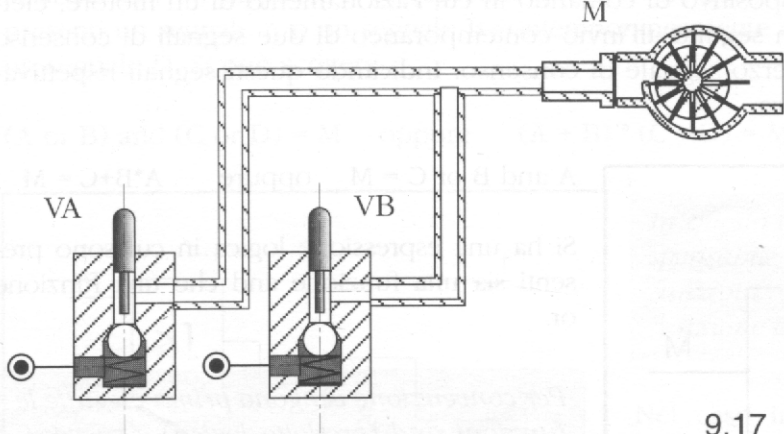




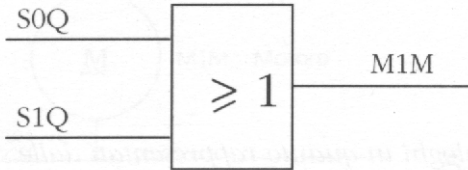
7.17



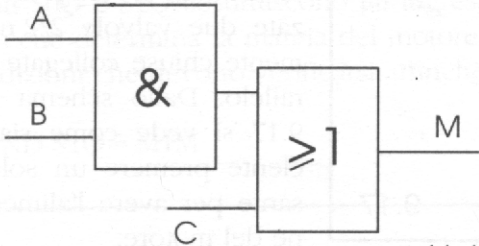
8.17



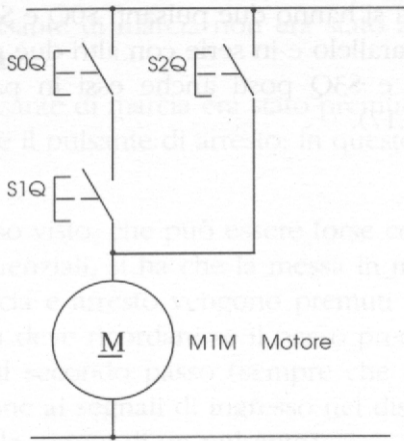
9.17

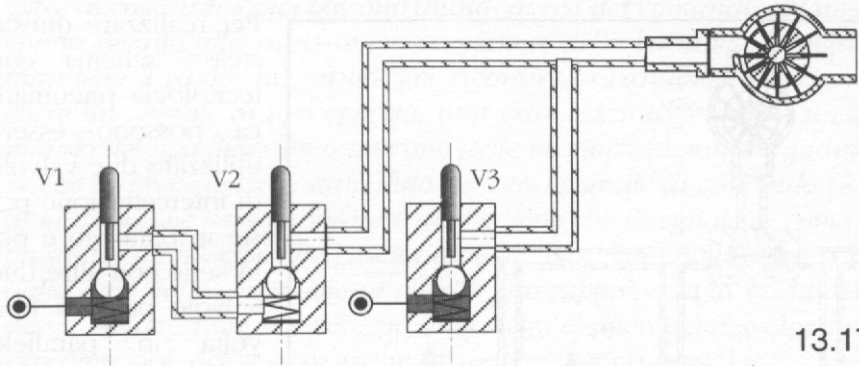


10.17

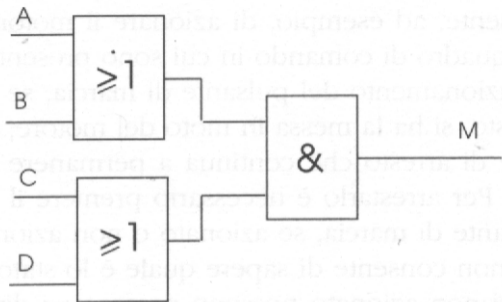


11.17

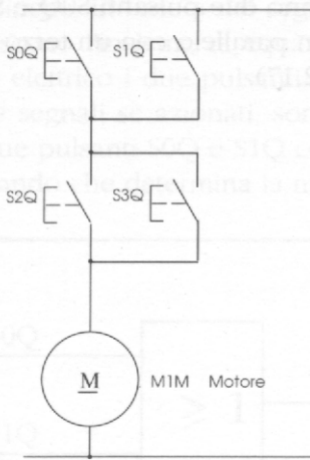


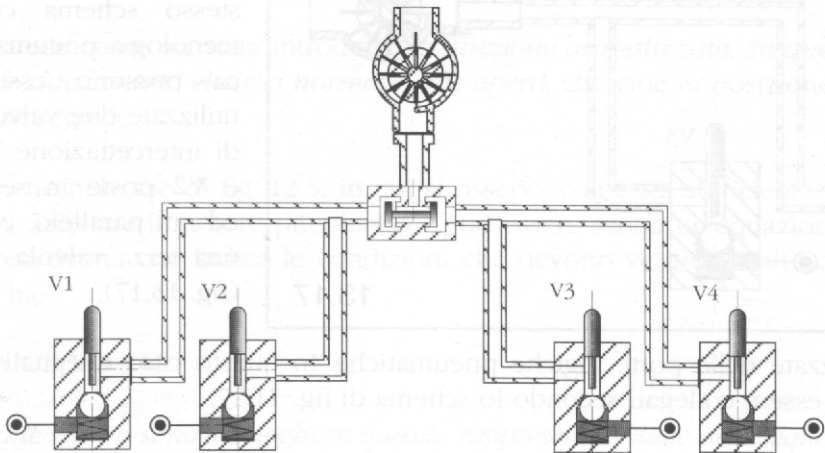


13.17



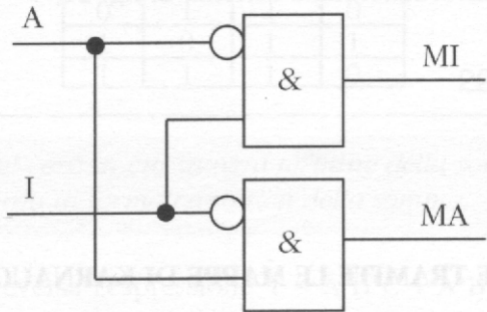
14.17





| A | I | MA | MI |
|---|---|----|----|
| 0 | 0 | 0 | 0 |
| 0 | 1 | 0 | 1 |
| 1 | 0 | 1 | 0 |
| 1 | 1 | 0 | 0 |

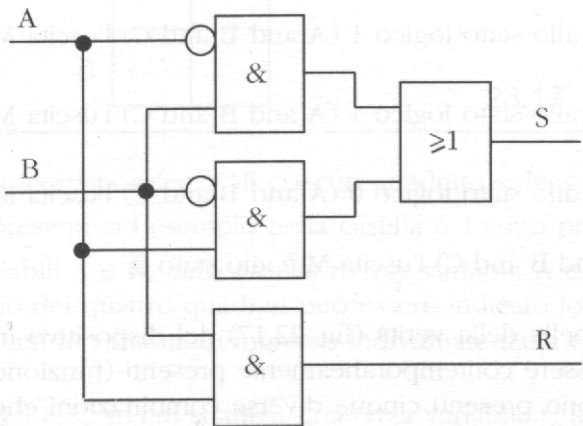
17.17



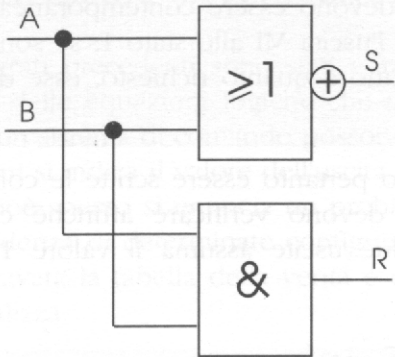
18.17

| A | B | S | R |
|---|---|---|---|
| 0 | 0 | 0 | 0 |
| 0 | 1 | 1 | 0 |
| 1 | 0 | 1 | 0 |
| 1 | 1 | 0 | 1 |

19.17



20.17



21.17

| A | B | C | M |
|---|---|---|---|
| 0 | 0 | 0 | 0 |
| 0 | 1 | 0 | 1 |
| 1 | 0 | 0 | 0 |
| 1 | 1 | 0 | 1 |
| 0 | 0 | 1 | 1 |
| 0 | 1 | 1 | 0 |
| 1 | 0 | 1 | 1 |
| 1 | 1 | 1 | 0 |

22.17

| | \bar{A} | A |
|-----------|-----------|-----|
| \bar{B} | | |
| B | | |

23.17

| | \bar{C} | | C | |
|-----------|-----------|---|---|-----------|
| | \bar{A} | A | A | \bar{A} |
| \bar{B} | | | | |
| B | | | | |

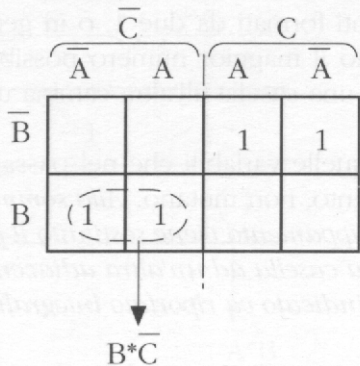
24.17

| | \bar{C} | | C | |
|-----------|-----------|---|---|-----------|
| | \bar{A} | A | A | \bar{A} |
| \bar{D} | \bar{B} | | | |
| | B | | | |
| D | B | | | |
| | \bar{B} | | | |

25.17

| | \overline{C} | | C | |
|----------------|----------------|---|---|----------------|
| | \overline{A} | A | A | \overline{A} |
| \overline{B} | | | 1 | 1 |
| B | 1 | 1 | | |

26.17

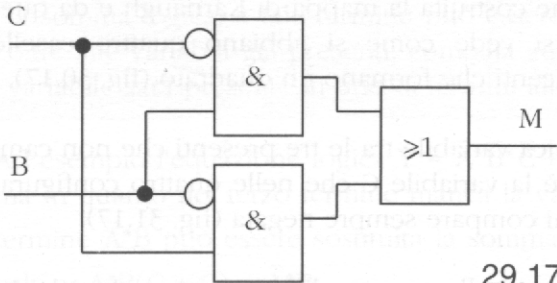


27.17

| | \bar{C} | | C | |
|-----------|-----------|-----|-----|-----------|
| | \bar{A} | A | A | \bar{A} |
| \bar{B} | | | 1 | 1 |
| B | 1 | 1 | | |

$\bar{B} * C$

28.17



29.17

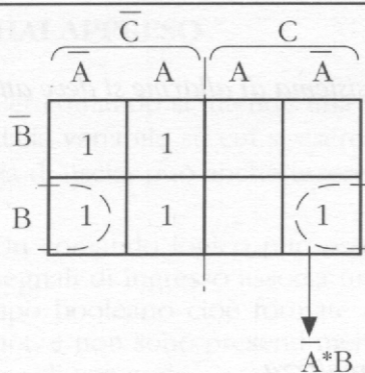
| | \bar{C} | | C | |
|-----------|-----------|---|---|-----------|
| | \bar{A} | A | A | \bar{A} |
| \bar{B} | 1 | 1 | | |
| B | 1 | 1 | | 1 |

30.17

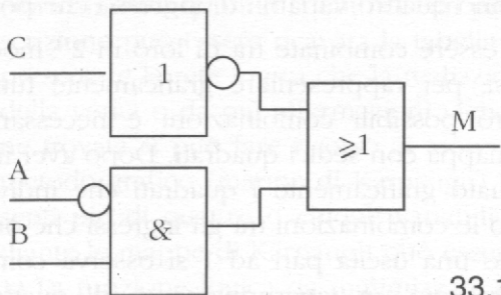
| | \bar{C} | | C | |
|-----------|-----------|-----|---|-----------|
| | \bar{A} | A | A | \bar{A} |
| \bar{B} | (1) | (1) | | |
| B | (1) | (1) | | 1 |

↓
 \bar{C}

31.17



32.17



33.17