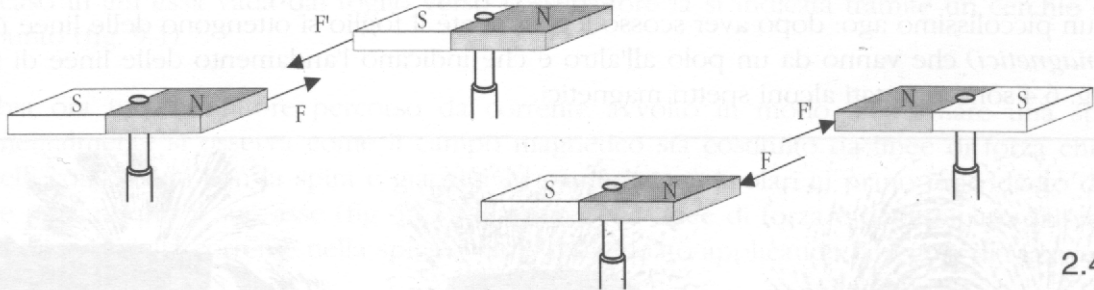
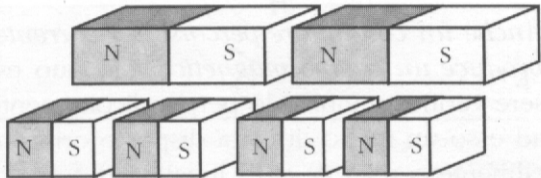
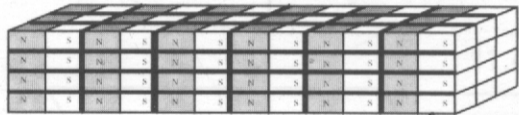


1.4

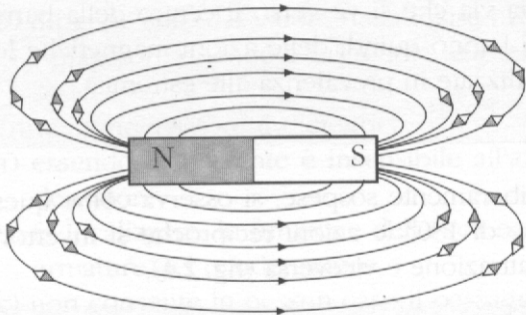


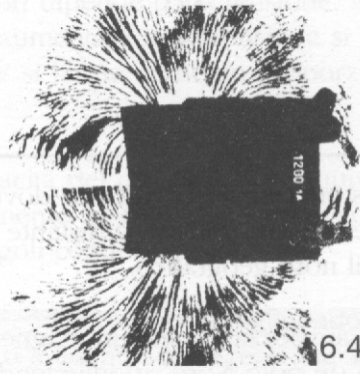
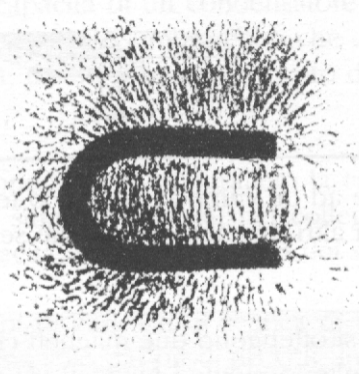
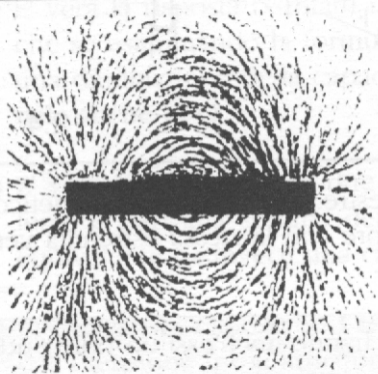


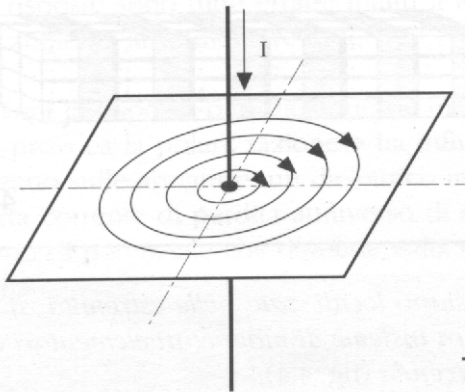
3.4



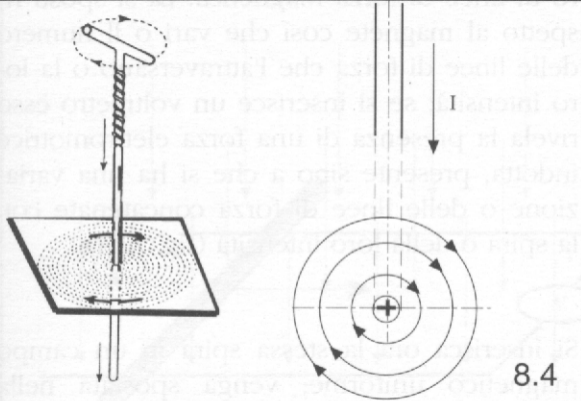
4.4



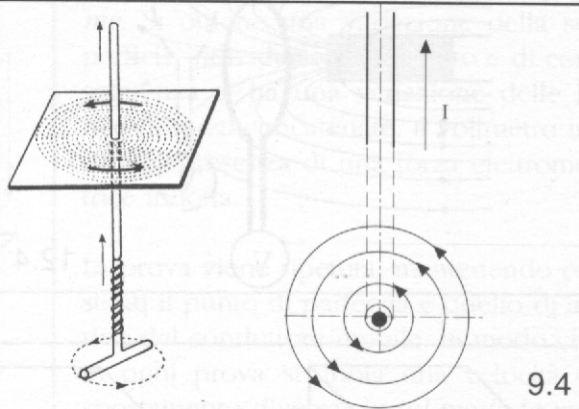




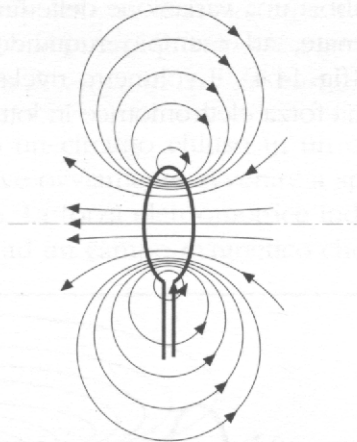
7.4



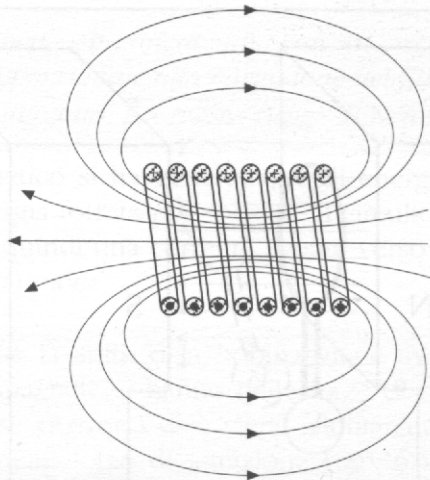
8.4



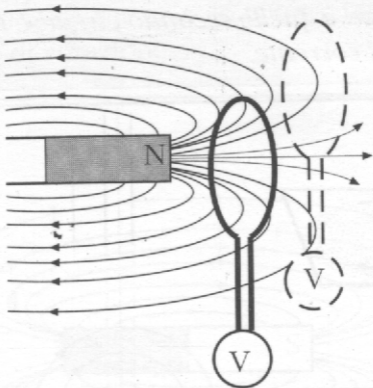
9.4



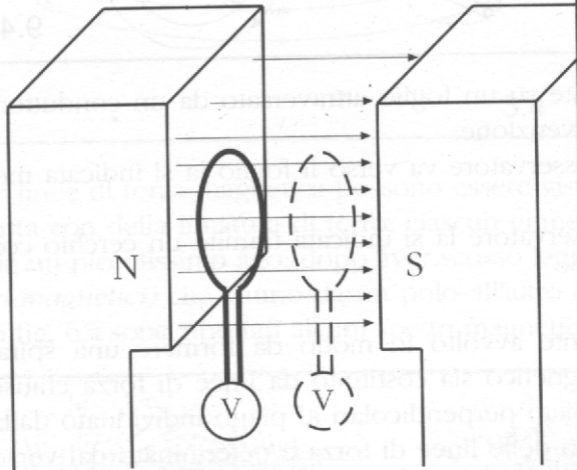
10.4

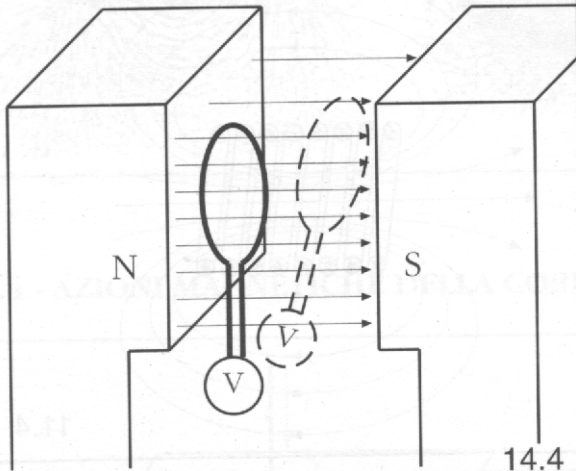


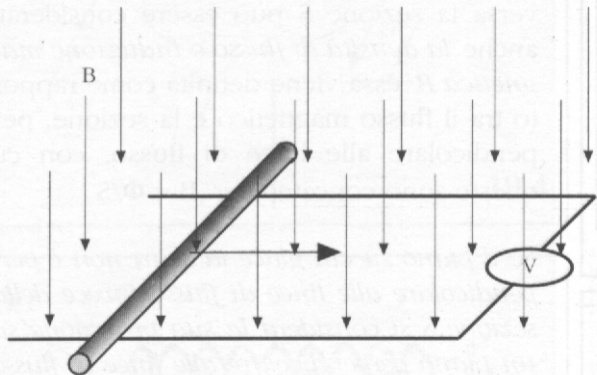
11.4

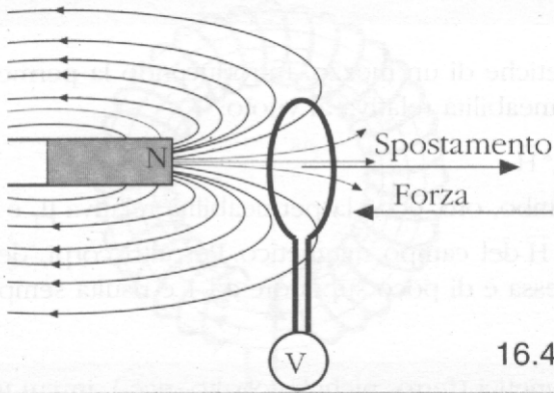


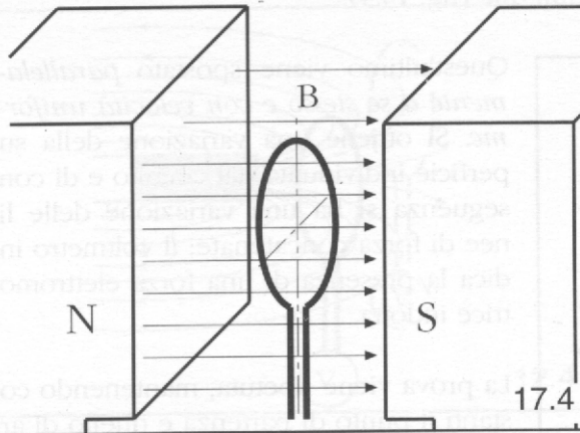
12.4



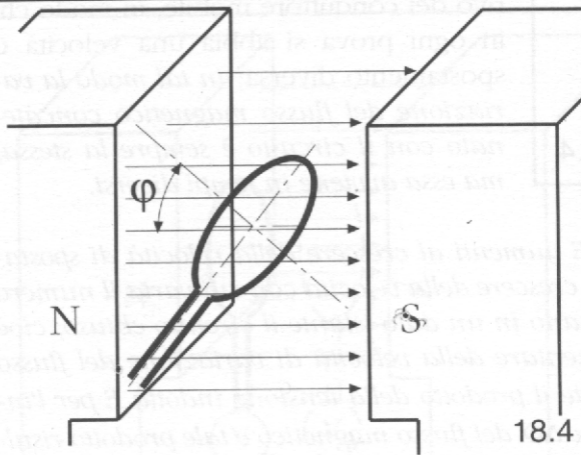


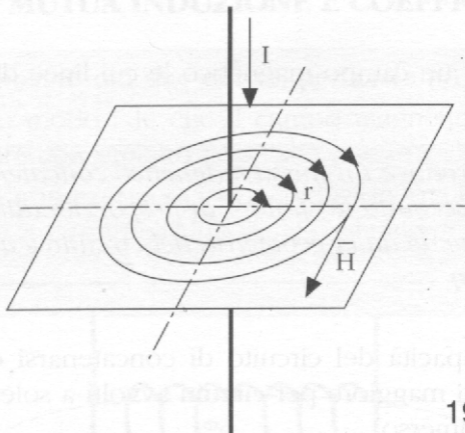


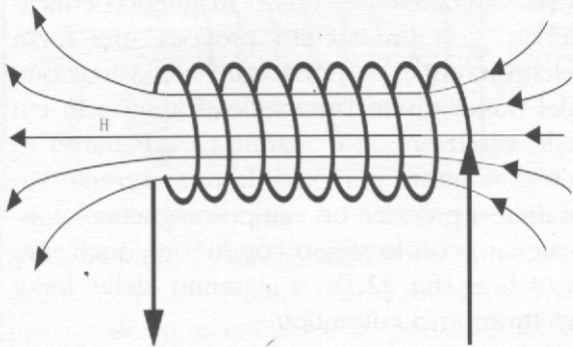




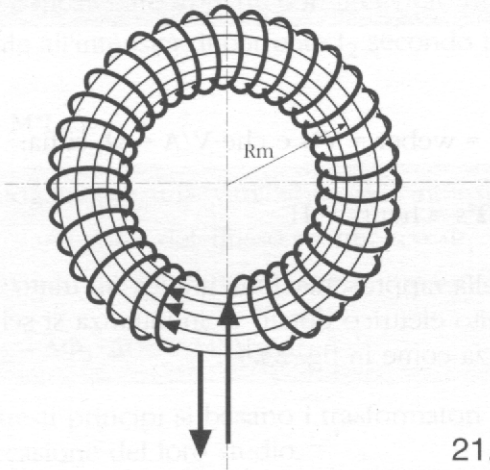
17.4

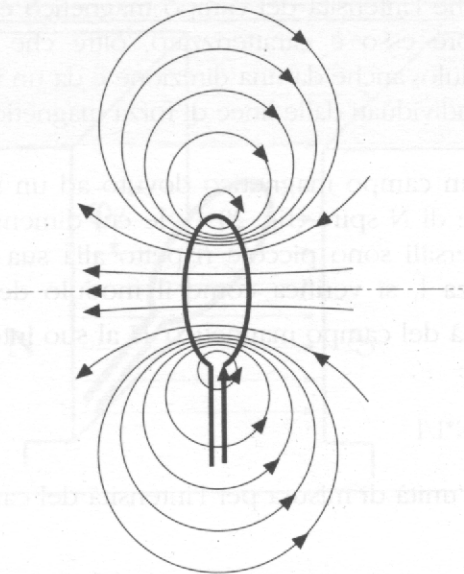






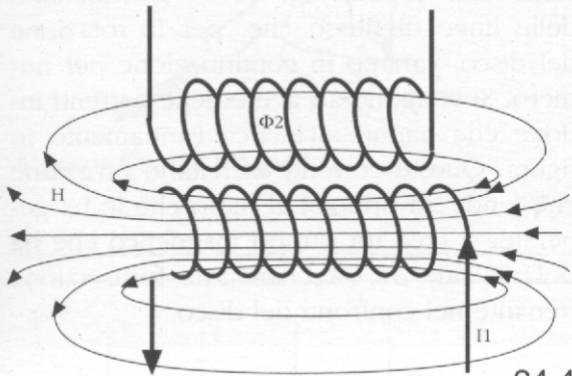
20.4

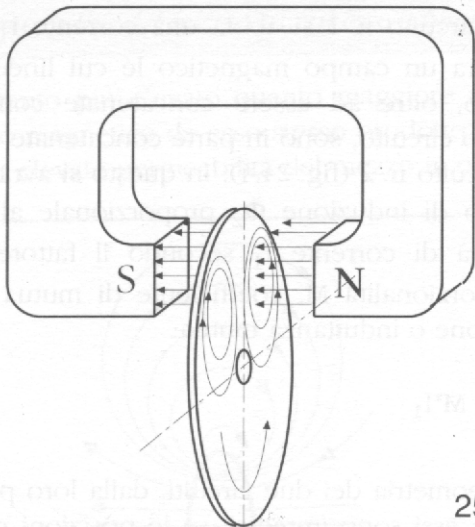




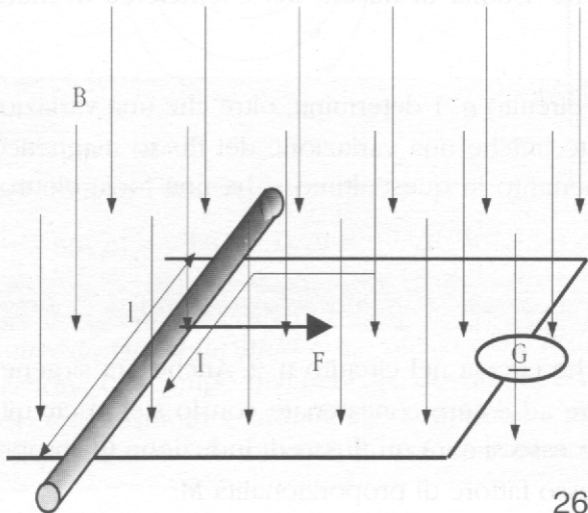


23.4



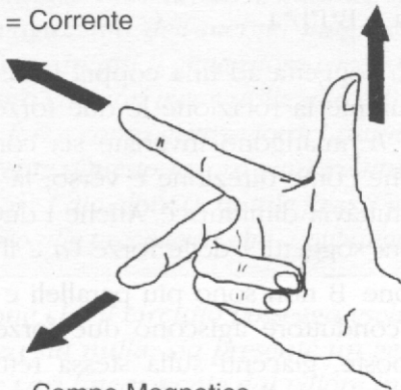


25.4

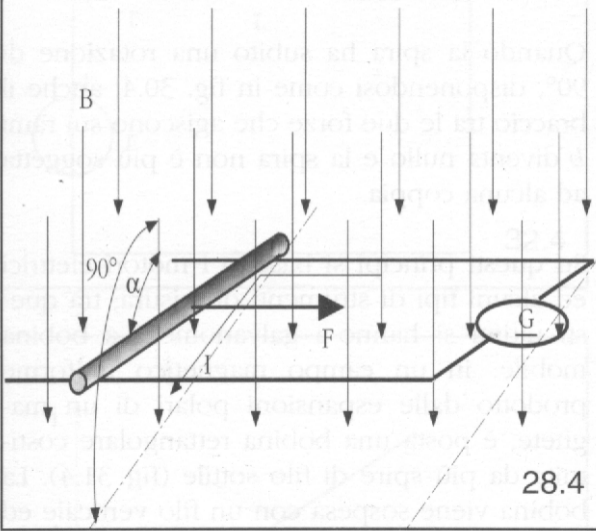


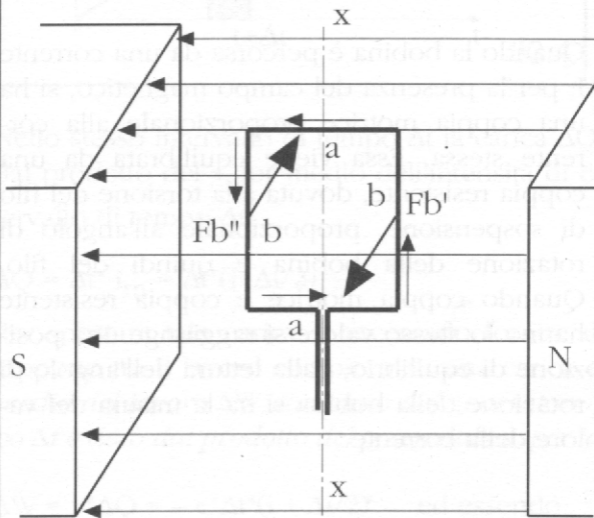
Indice = Corrente

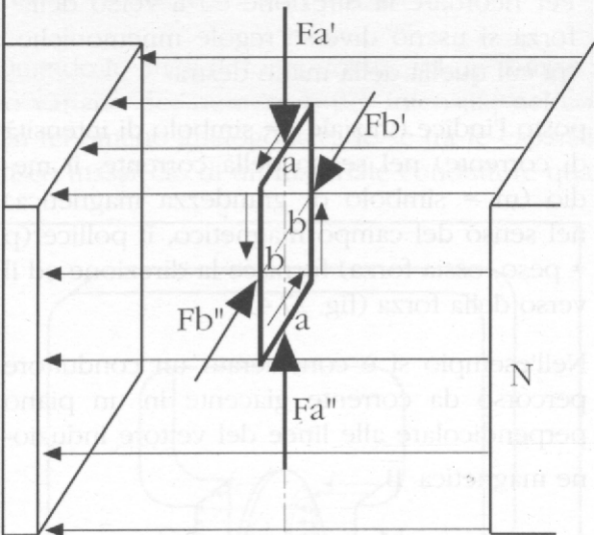
Pollice = Forza

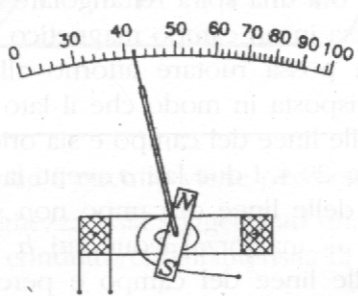
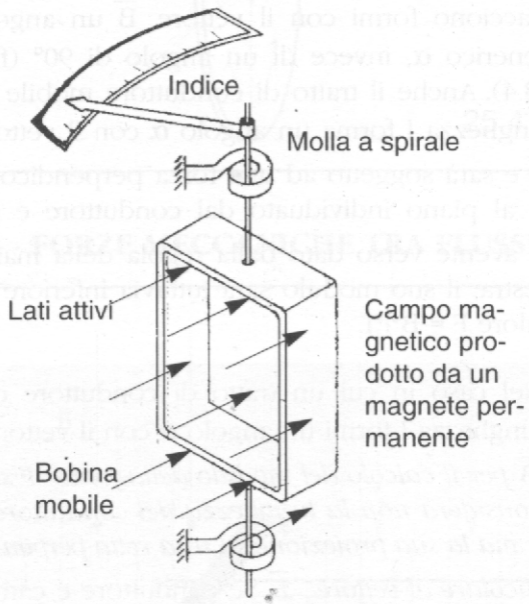


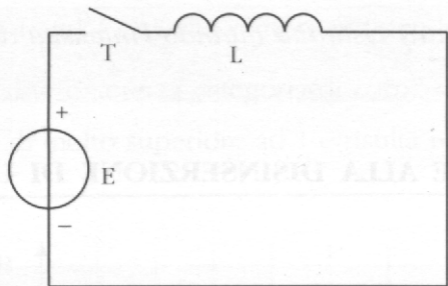
Medio = Campo Magnetico



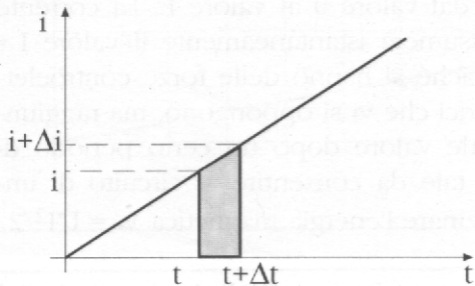




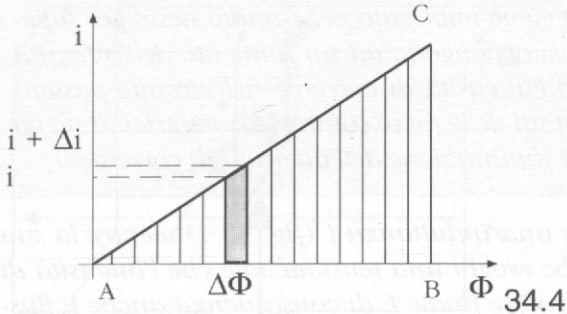


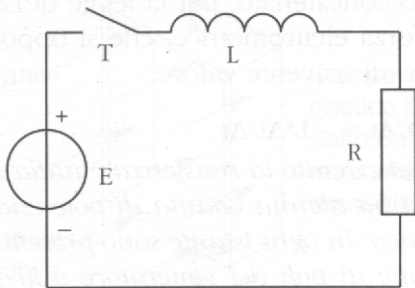


32.4



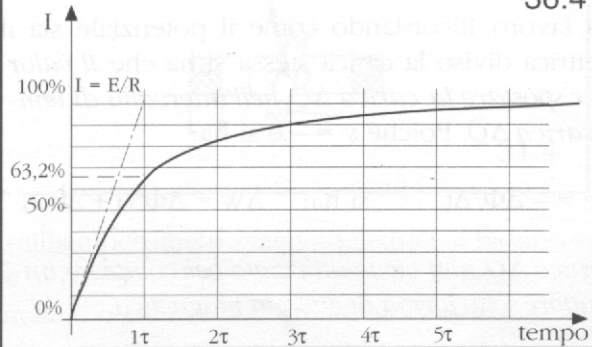
33.4



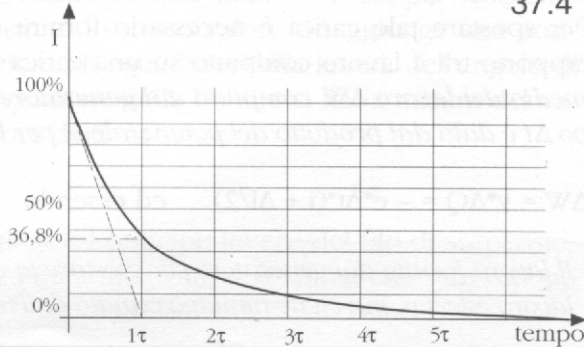


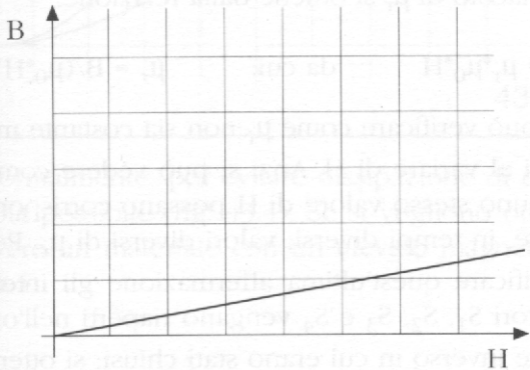
35.4

36.4

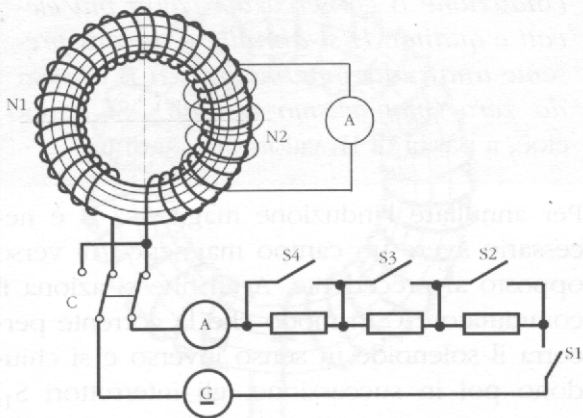


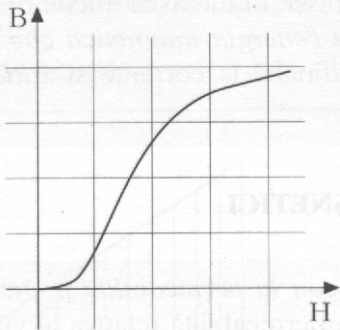
37.4





38.4





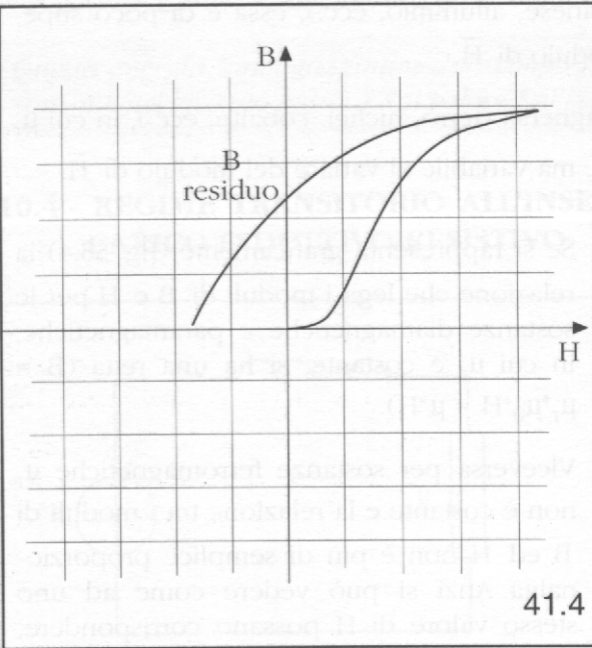
40.4

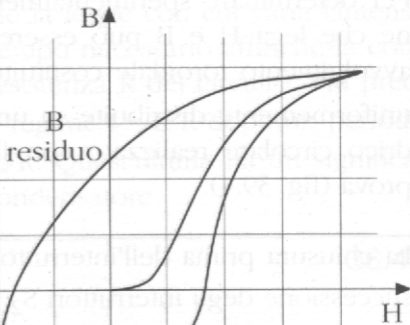
B

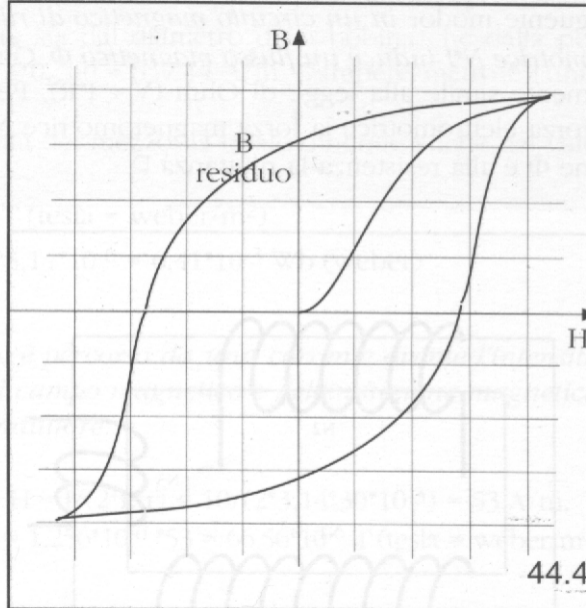
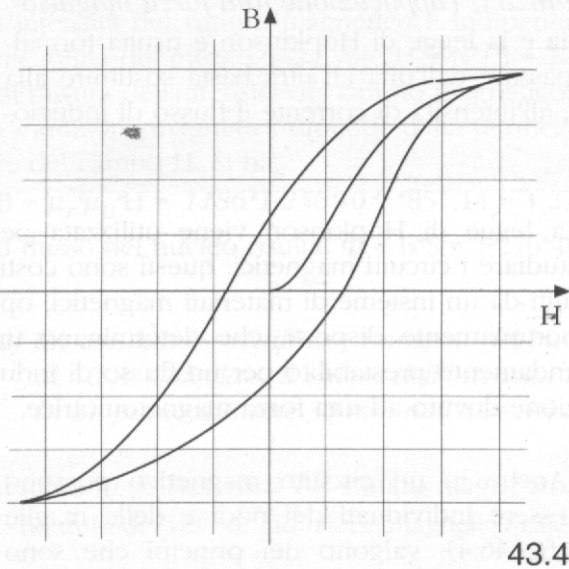
B
residuo

H

41.4







N

R_m

